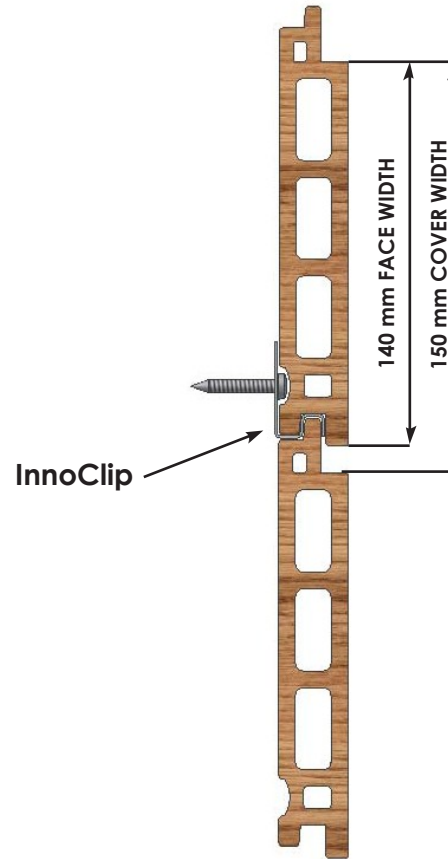


T-BAR COVER MOULD

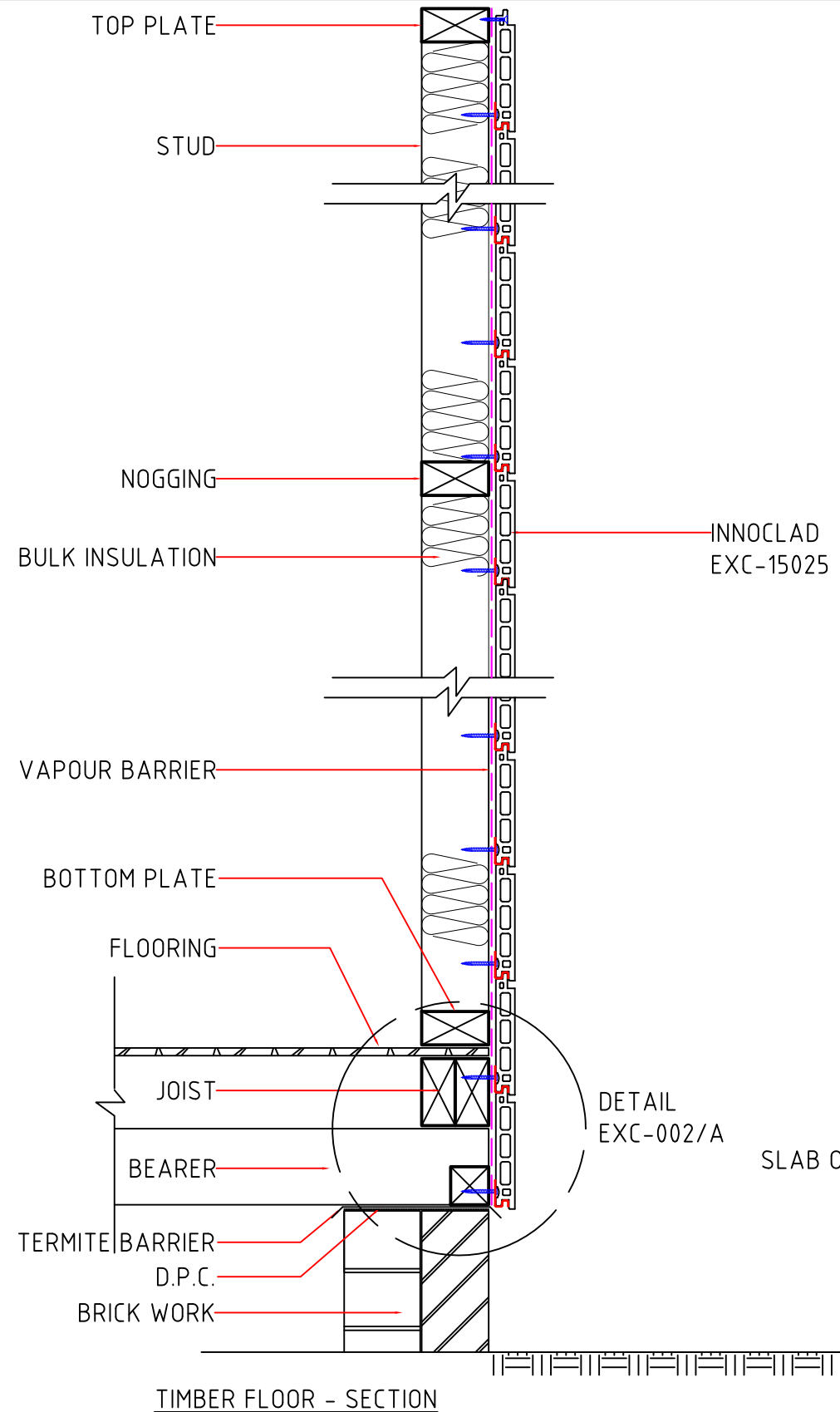


INTERNAL/EXTERNAL COVER MOULD

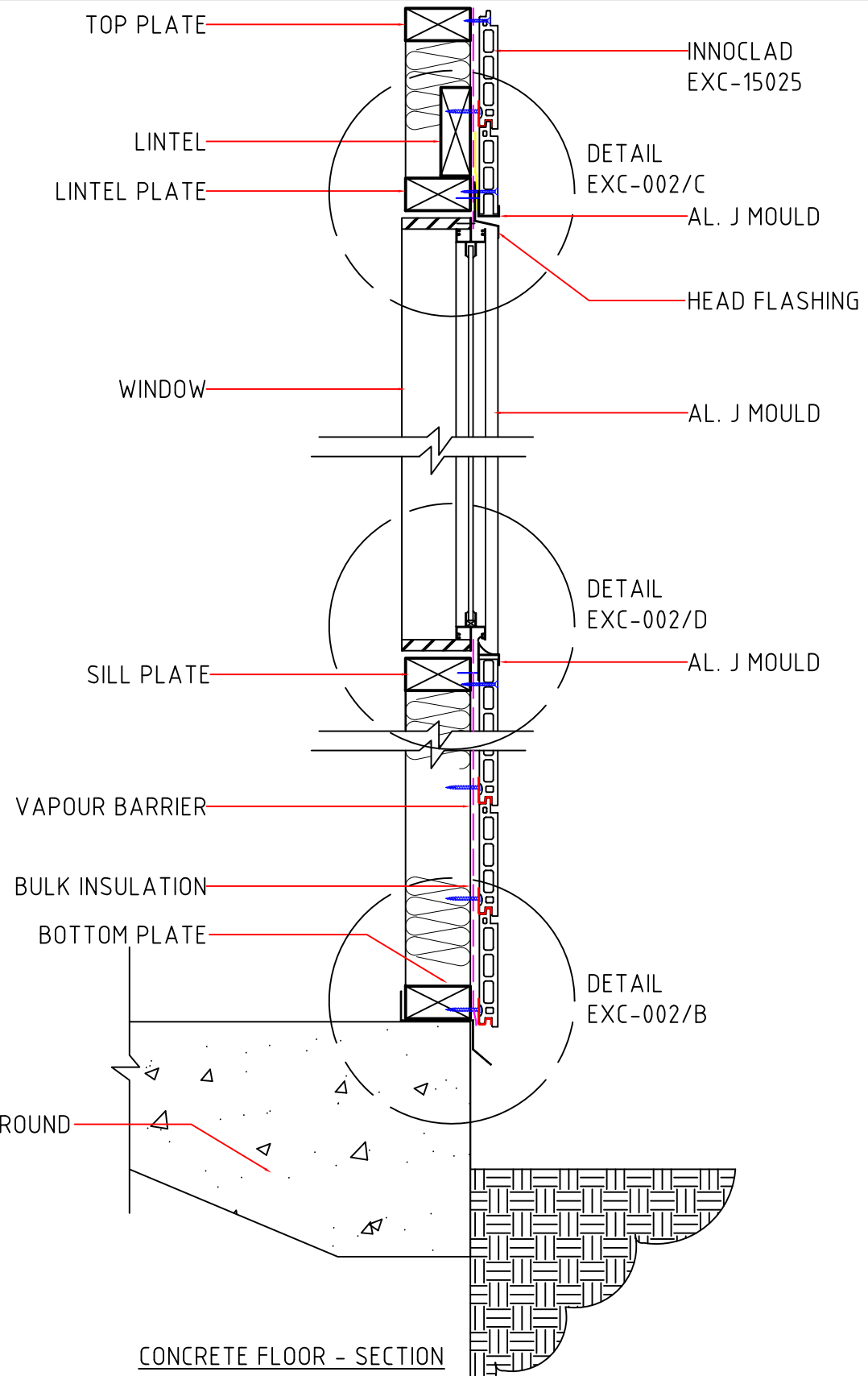


ASSEMBLED 150x25 EXTERNAL CLADDING





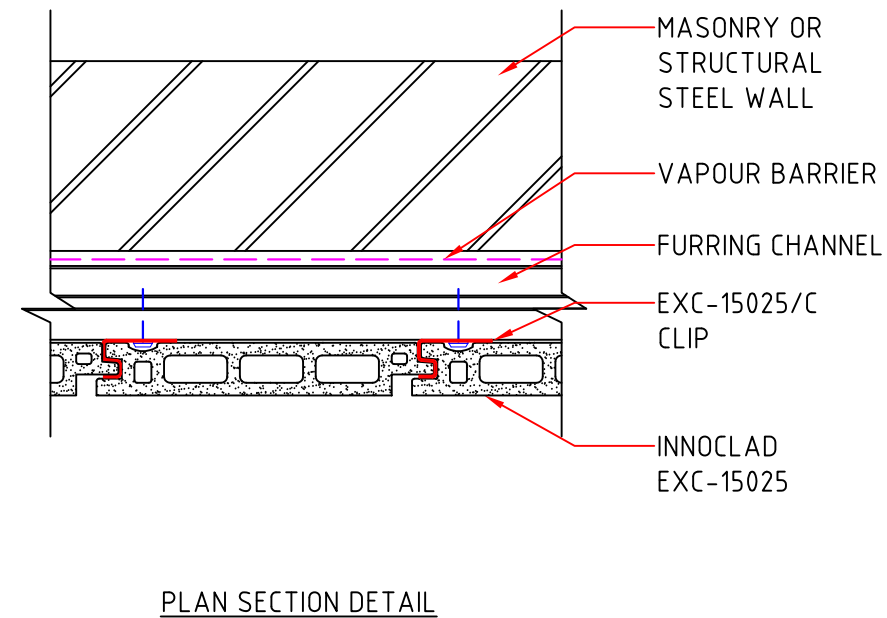
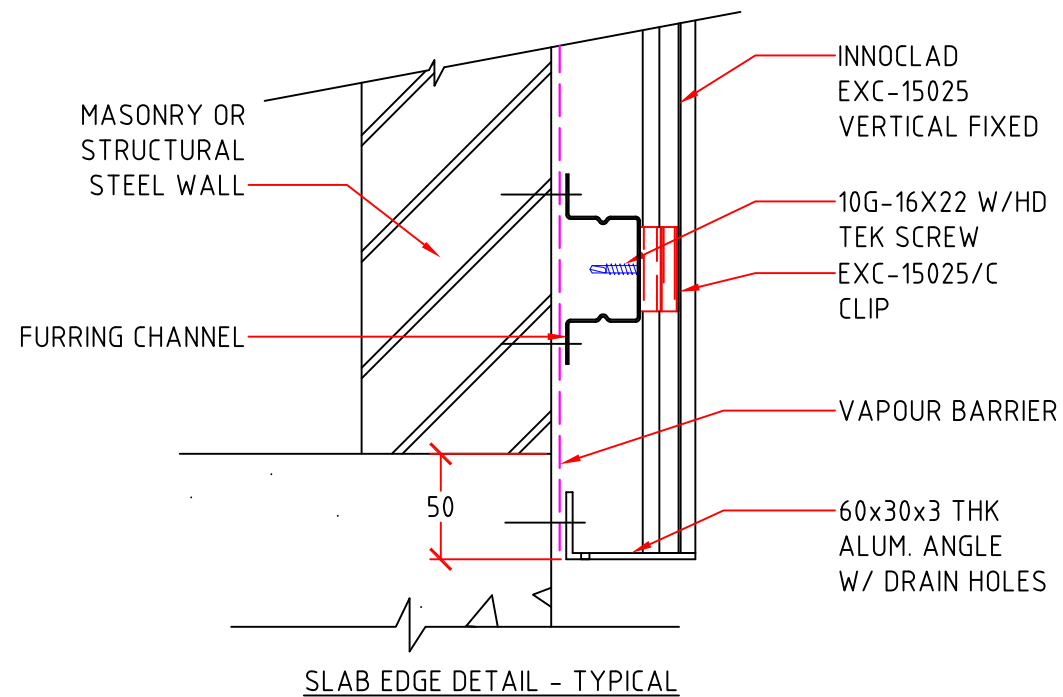
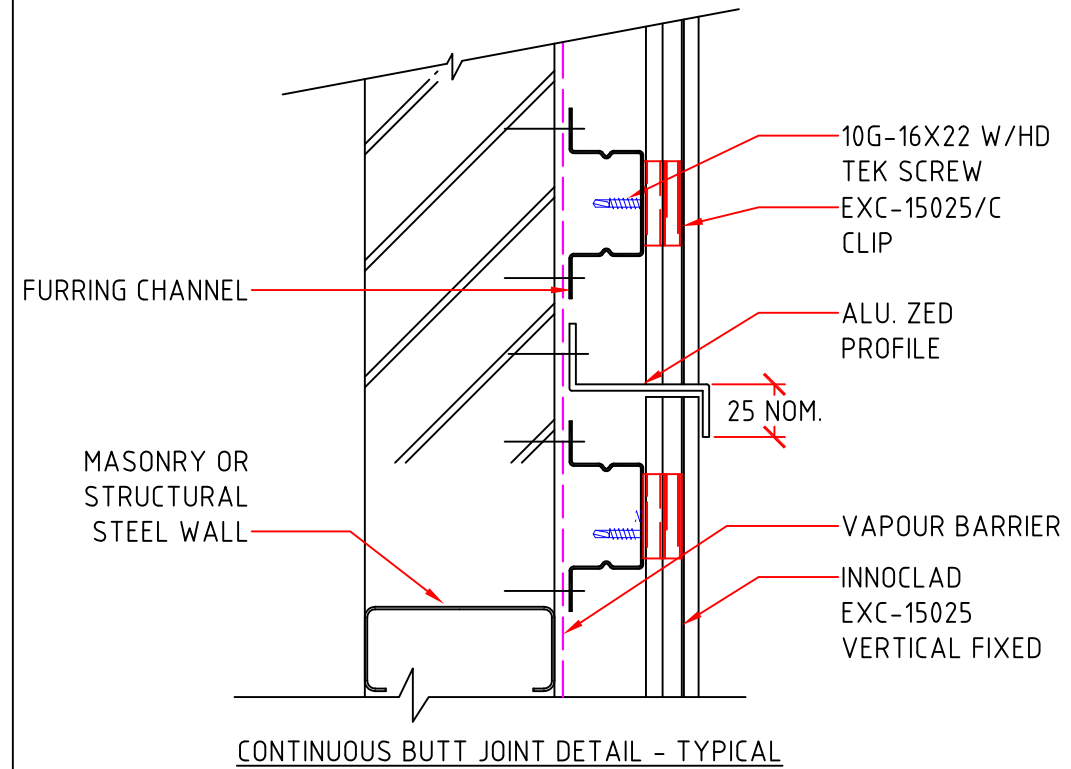
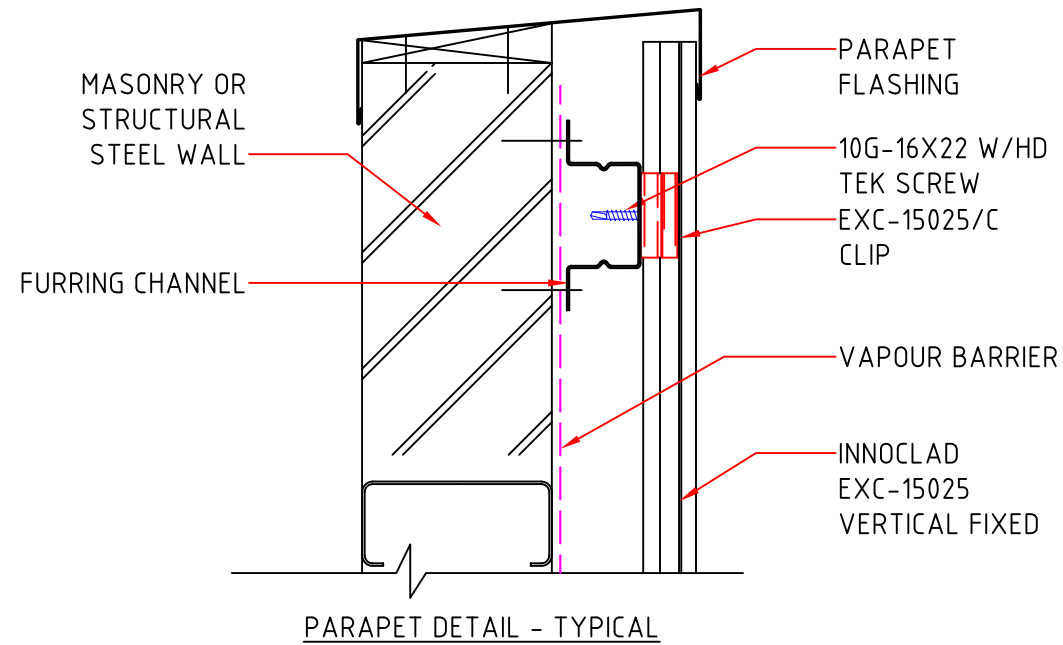
TIMBER FLOOR - SECTION



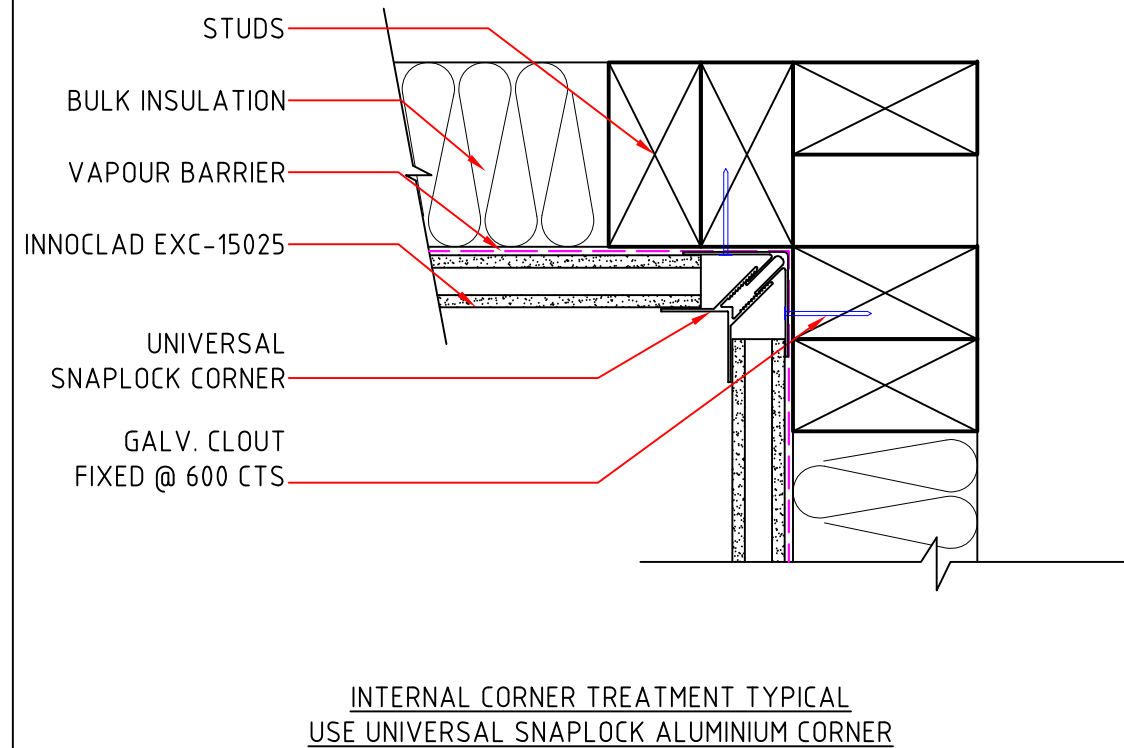
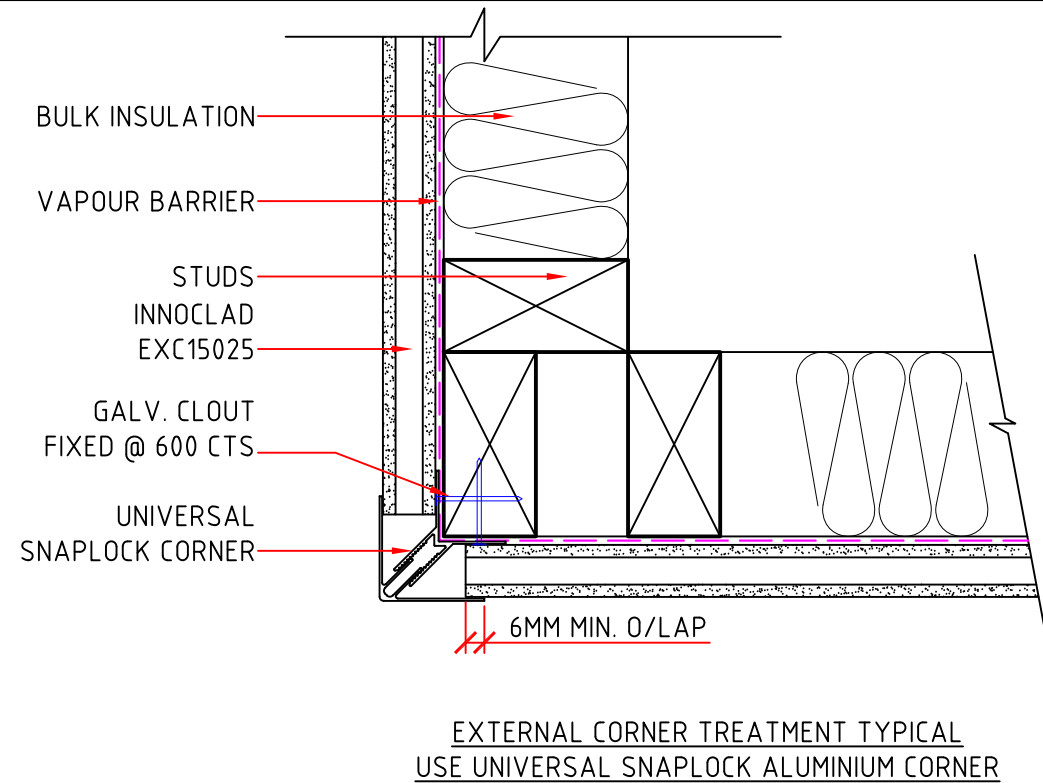
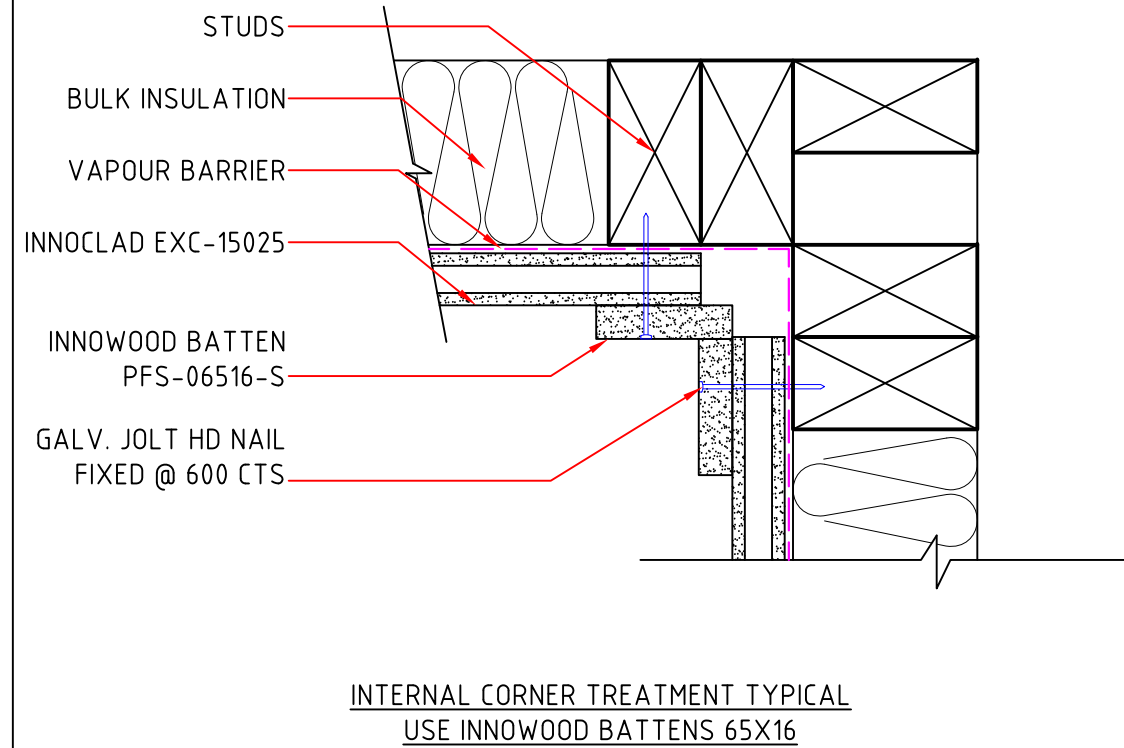
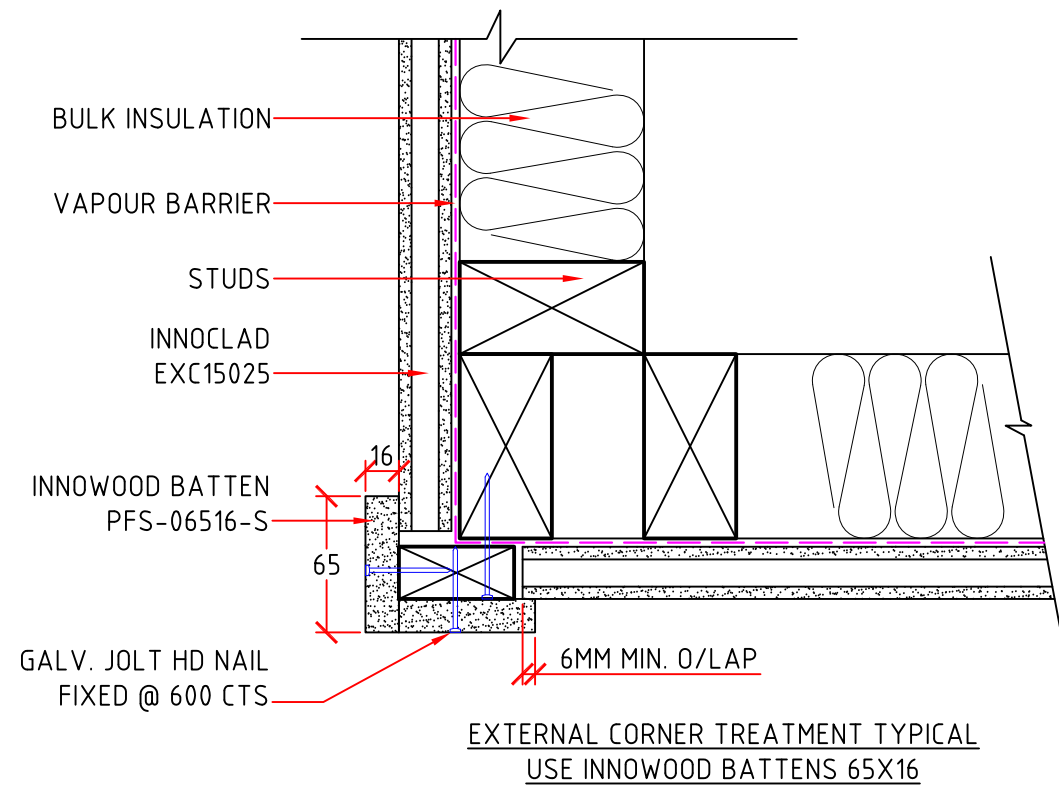
CONCRETE FLOOR - SECTION

SKETCH NO:
CL150025HO-001

CUSTOMER	CUSTOMER REF :	DRAWN AT			
APPLICATION CLADDING 150x25mm	SCALE : N. T. S.	CHECKED JK			
TITLE FIXING TO TIMBER FRAMING DETAIL		APPROVED	A	FOR INSTALLATION	05/09/11
			ISSUE	MODIFICATION	CHECKED DATE



SKETCH NO: CL150025HO-003	CUSTOMER	CUSTOMER REF :	DRAWN AT			
	APPLICATION CLADDING 150x25mm	SCALE : N. T. S.	CHECKED JK			
	TITLE VERTICAL FIXED DETAIL		APPROVED	A	FOR INSTALLATION	05/09/11
				ISSUE	MODIFICATION	CHECKED
						DATE



SKETCH NO:
CL150025HO-004

CUSTOMER	CUSTOMER REF :	DRAWN AT			
APPLICATION CLADDING 150x25mm	SCALE : N. T. S.	CHECKED JK			
TITLE CORNER FIXING DETAIL		APPROVED	A	FOR INSTALLATION	05/09/11
			ISSUE	MODIFICATION	CHECKED DATE